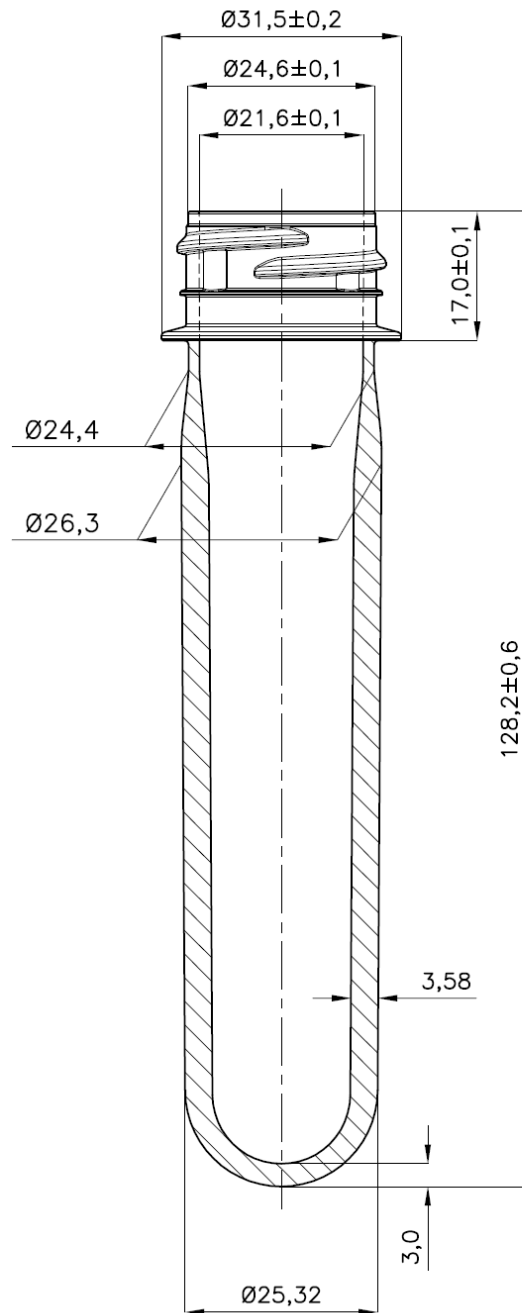




PREFORM 38g 28-410 HIGH VERSION



MATERIAL: PET

CODE: PPE3800C

WEIGHT: 38 gr.

NECK: 28-410 $27,40 \pm 0,10$ mm.