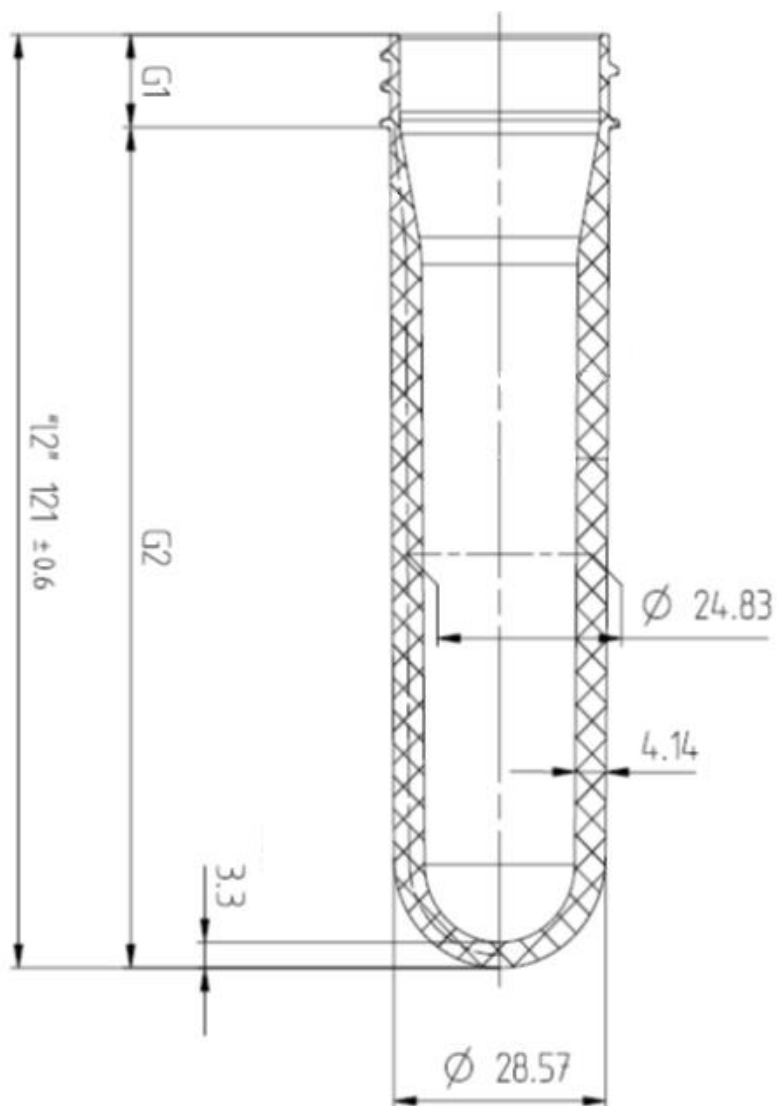




PREFORM 45,9G 33-410



MATERIAL: PET

CODE: PPL4590C

WEIGHT: 45,9 gr.

NECK: 33-410 $32,0 \pm 0,10$ mm.
