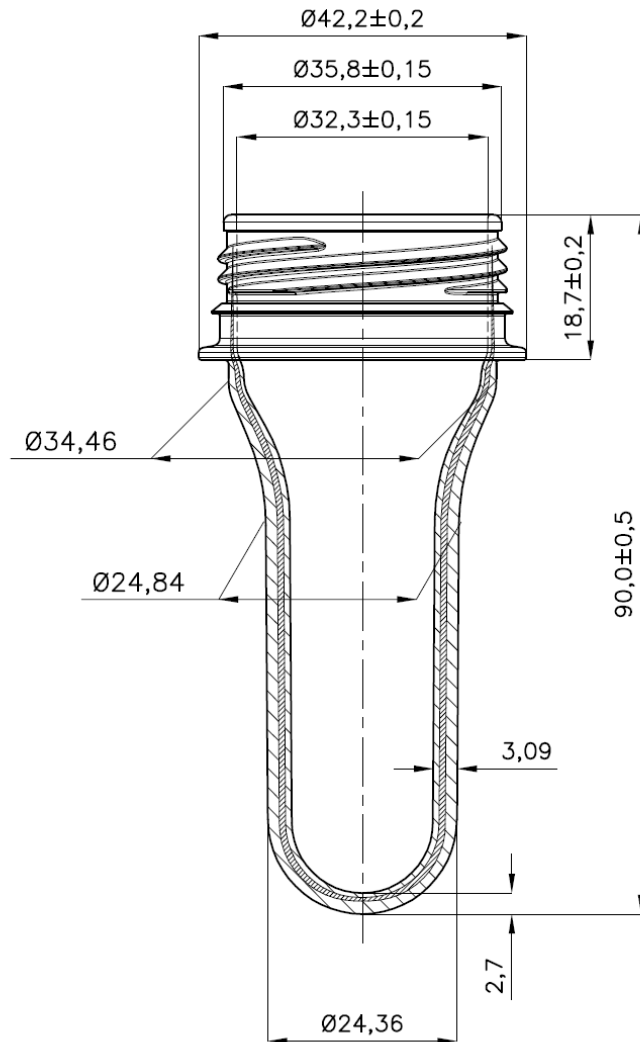




PREFORM 25,6G A&F MULTILAYER



MATERIAL: PET

CODE: PPA2560WB

WEIGHT: 25,6 gr.

NECK: A&F $37,20 \pm 0,15$ mm.