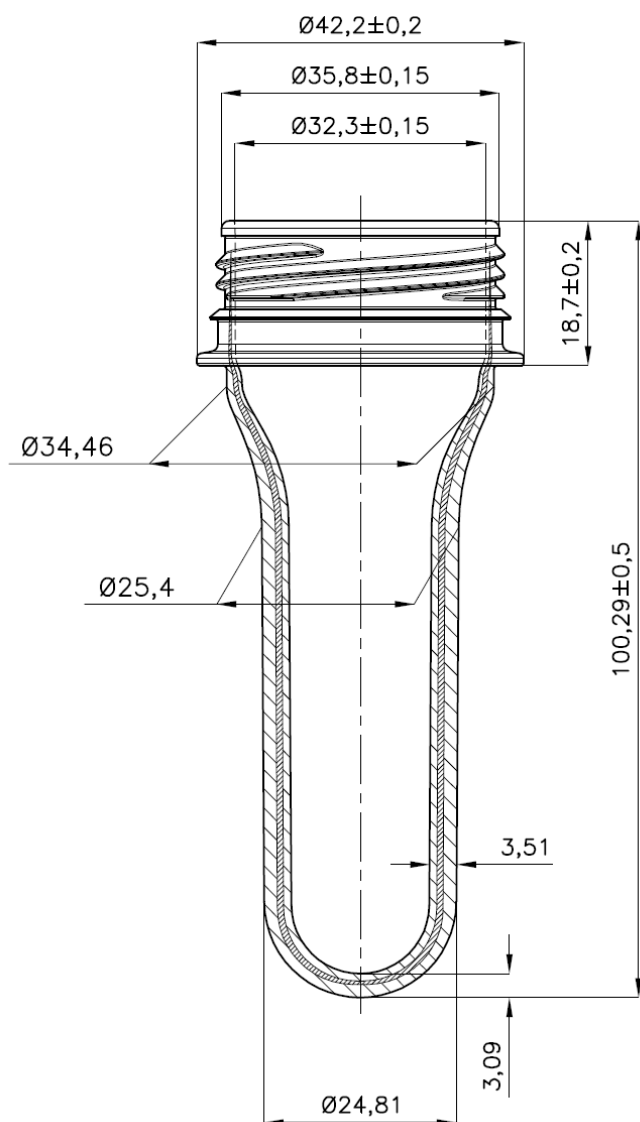




PREFORM 31G A&F MULTILAYER



MATERIAL: PET

CODE: PPA3100WB

WEIGHT: 31 gr.

NECK: A&F $37,20 \pm 0,15$ mm.