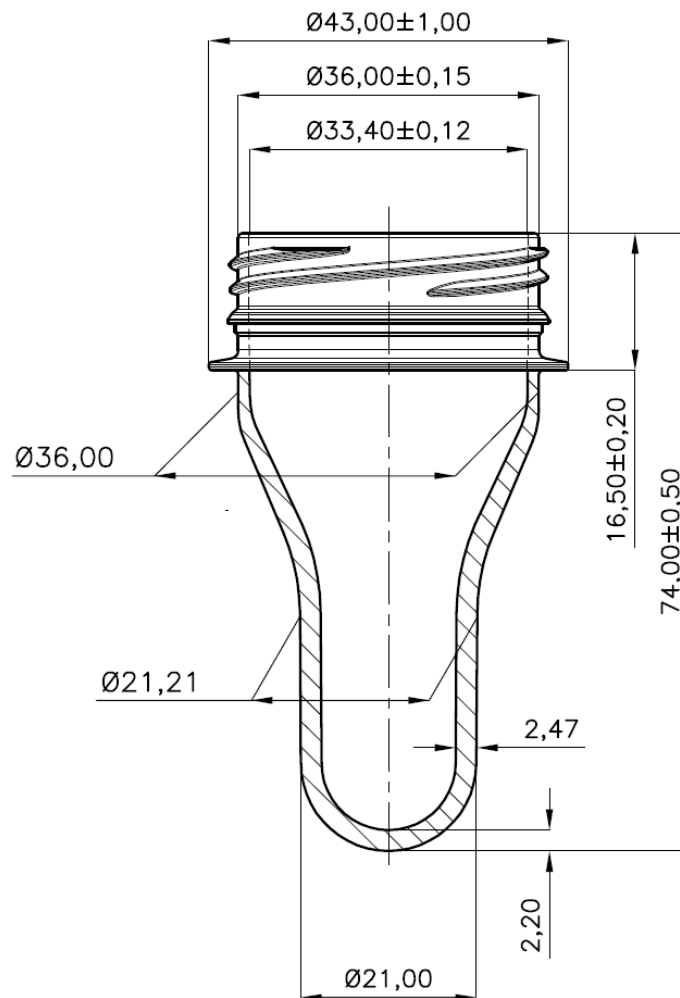




## PREFORM 16G BERICAP 3-START



**MATERIAL: PET**

**CODE: PPC1600C**

**WEIGHT: 16 gr.**

**NECK: BERICAP  $38,00 \pm 0,15$  mm.**